

# RF Connector, SMA-F(RP)

## ERF6005



### Description

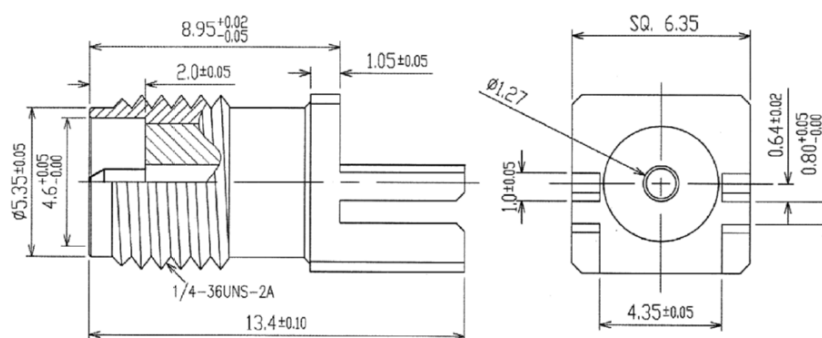
The ERF6005 is a RF Connector with a SMA Female Reversed Polarity connector and need to be mounted on the side of a PCB.



### Features

Parameter	Description
Connector type	Reversed Polarity SMA Femal PCH end Launch
Dimensions:	13.4 x 6.35 x 6.35 mm ± 0.1
Operating Temperature Range:	-20°C~+65°C
Storage Temperature Range:	-20°C~+65°C
Marterials	
Shell	Brass, Gold plated
Body	Brass, Gold plated
Gasket	Silicone (Red)
C-Ring	SUS304, Gold plated
Contact Pin	Brass, Nickel plated
Insulator	PTFE (White)
Cube Body	Brass, Gold plated

### Dimensions

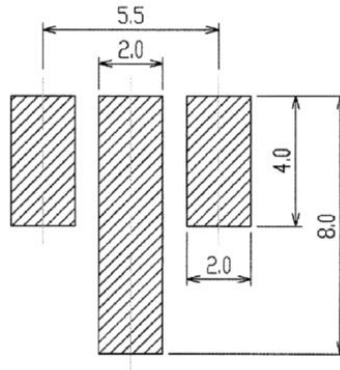


# RF Connector, SMA-F(RP)

## ERF6005

### PCB Footprint

\*unit: mm



### Ordering information

Ordering can be done via [www.summit-electronics.com](http://www.summit-electronics.com) or via [info@summit-electronics.com](mailto:info@summit-electronics.com). Please contact us for more information. Customisation of the product is available on request.

### Technical support

For all product questions please contact us via [info@summit-electronics.com](mailto:info@summit-electronics.com)

### Document revision

Rev	Date	changes
2023v1	03-05-2023	First issue of document